

# KITCHEN ARMOR Quick Start Guide

## Bracket Set for DX3000 Controller KA-DX Bracket Set

### Contents

Item	Description	Quantity
A	Controller Bracket	1
B	Monitor Bracket	1
C	Cable Cover	1
D	Cable Cover Thumb Screw	1
E	Thumb Nut	2
F	M4 x 10 mm Screw	4
G	Optional- Split Loom	N/A

### Quick Start

**1**

Attach plate to monitor

**2**

Hank power cord and put bricks in bracket

**3**

Put DX in bracket

**4**

Assemble

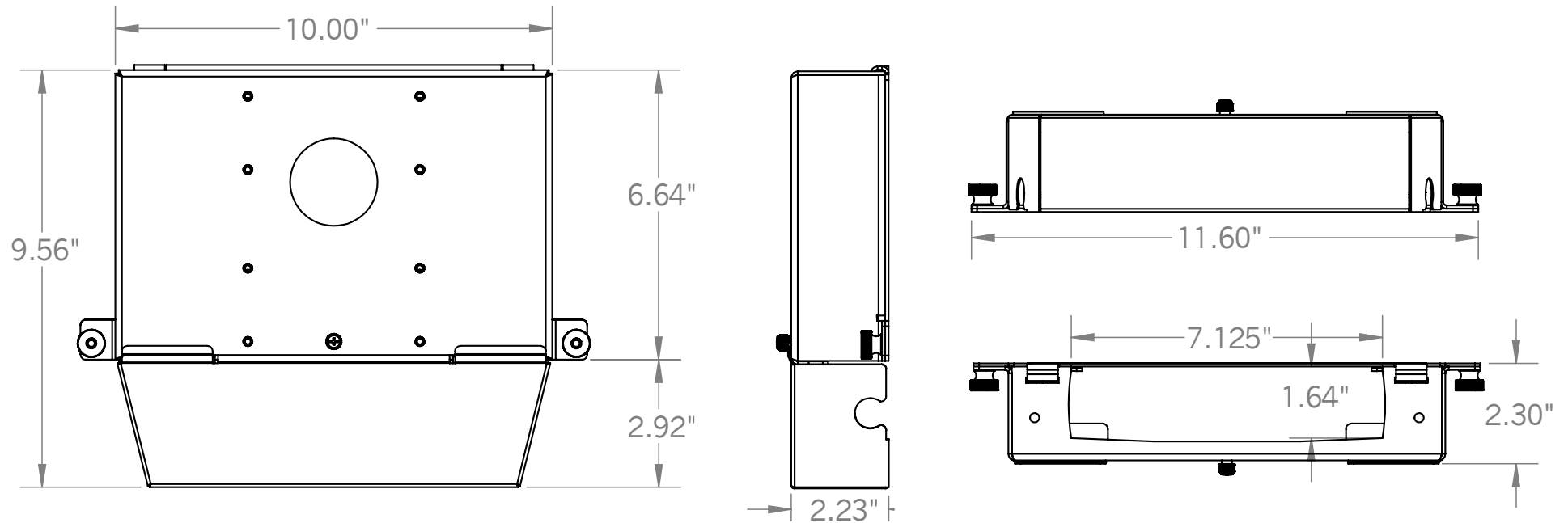
**5**

Attach cables

**6**

Attach cable cover

## Mechanical Drawings



## Safety & Maintenance

- Protect all cables and power cords when passing through stainless steel housing.
- To clean the stainless steel, use warm water, glass cleaner, or stainless steel cleaner and a soft cloth. Do not use alcohol or other abrasive cleaners.